

## Features

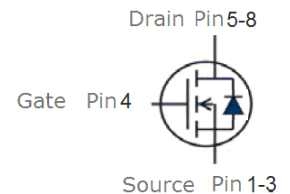
- N-Channel, 5V Logic Level Control
- Enhancement mode
- Very low on-resistance  $R_{DS(on)}$  @  $V_{GS}=4.5V$
- Fast Switching
- High conversion efficiency
- Pb-free lead plating; RoHS compliant



$V_{DS}$	80	V
$R_{DS(on),TYP} @ V_{GS}=10V$	10	m $\Omega$
$R_{DS(on),TYP} @ V_{GS}=4.5V$	12	m $\Omega$
$I_D$	14	A

**SOP8**


Part ID	Package Type	Marking	Tape and reel information
VSO013N08MS	SOP8	013N08MS	3000pcs/reel



## Maximum ratings, at $T_j=25^\circ\text{C}$ , unless otherwise specified

Symbol	Parameter	Rating	Unit
$V_{(BR)DSS}$	Drain-Source breakdown voltage	80	V
$I_S$	Diode continuous forward current	$T_A=25^\circ\text{C}$ 14	A
$I_D$	Continuous drain current @ $V_{GS}=10V$	$T_A=25^\circ\text{C}$ 14	A
		$T_A=70^\circ\text{C}$ 9	A
$I_{DM}$	Pulse drain current tested ①	$T_A=25^\circ\text{C}$ 56	A
EAS	Avalanche energy, single pulsed ②	240	mJ
IAS	Avalanche Current max	31	A
$P_D$	Maximum power dissipation	$T_A=25^\circ\text{C}$ 2.5	W
$V_{GS}$	Gate-Source voltage	$\pm 20$	V
$T_{STG} T_J$	Storage and operating temperature range	-55 to 175	$^\circ\text{C}$

## Thermal Characteristics

Symbol	Parameter	Typical	Unit
$R_{\theta JL}$	Thermal Resistance-Junction to Lead	24	$^\circ\text{C/W}$
$R_{\theta JA}$	Thermal Resistance-Junction to Ambient	40	$^\circ\text{C/W}$

Symbol	Parameter	Condition	Min.	Typ.	Max.	Unit
<b>Static Electrical Characteristics @ T<sub>j</sub> = 25°C (unless otherwise stated)</b>						
V <sub>(BR)DSS</sub>	Drain-Source Breakdown Voltage	V <sub>GS</sub> =0V I <sub>D</sub> =250μA	80	--	--	V
I <sub>DSS</sub>	Zero Gate Voltage Drain Current(T <sub>A</sub> =25°C)	V <sub>DS</sub> =80V,V <sub>GS</sub> =0V	--	--	1	μA
	Zero Gate Voltage Drain Current(T <sub>A</sub> =125°C)	V <sub>DS</sub> =80V,V <sub>GS</sub> =0V	--	--	100	μA
I <sub>GSS</sub>	Gate-Body Leakage Current	V <sub>GS</sub> =±20V,V <sub>DS</sub> =0V	--	--	±100	nA
V <sub>GS(TH)</sub>	Gate Threshold Voltage	V <sub>DS</sub> =V <sub>GS</sub> ,I <sub>D</sub> =250μA	1.0	2.0	3.0	V
R <sub>DS(ON)</sub>	Drain-Source On-State Resistance <sup>③</sup>	V <sub>GS</sub> =10V, I <sub>D</sub> =8A	--	10	13	mΩ
R <sub>DS(ON)</sub>	Drain-Source On-State Resistance <sup>③</sup>	V <sub>GS</sub> =4.5V, I <sub>D</sub> =4A	--	12	16	mΩ
<b>Dynamic Electrical Characteristics @ T<sub>j</sub>= 25°C (unless otherwise stated)</b>						
C <sub>iss</sub>	Input Capacitance	V <sub>DS</sub> =30V,V <sub>GS</sub> =0V, f=1MHz	--	3195	--	pF
C <sub>oss</sub>	Output Capacitance		--	235	--	pF
C <sub>rss</sub>	Reverse Transfer Capacitance		--	200	--	pF
Q <sub>g</sub>	Total Gate Charge	V <sub>DS</sub> =50V,I <sub>D</sub> =4A, V <sub>GS</sub> =10V	--	80	--	nC
Q <sub>gs</sub>	Gate-Source Charge		--	10	--	nC
Q <sub>gd</sub>	Gate-Drain Charge		--	14	--	nC
<b>Switching Characteristics</b>						
t <sub>d(on)</sub>	Turn-on Delay Time	V <sub>DD</sub> =50V, I <sub>D</sub> =4A, R <sub>G</sub> =6.8Ω, V <sub>GS</sub> =10V	--	24	--	nS
t <sub>r</sub>	Turn-on Rise Time		--	112	--	nS
t <sub>d(off)</sub>	Turn-Off Delay Time		--	51	--	nS
t <sub>f</sub>	Turn-Off Fall Time		--	105	--	nS
<b>Source- Drain Diode Characteristics @ T<sub>j</sub>= 25°C (unless otherwise stated)</b>						
V <sub>SD</sub>	Forward on voltage	I <sub>SD</sub> =8A,V <sub>GS</sub> =0V	--	0.77	1.2	V
t <sub>rr</sub>	Reverse Recovery Time	T <sub>j</sub> =25°C,I <sub>sd</sub> =4A, V <sub>GS</sub> =0V	--	33	--	nS
Q <sub>rr</sub>	Reverse Recovery Charge	di/dt=100A/μs		42		nC

**NOTE:**

- ① Repetitive rating; pulse width limited by max. junction temperature.
- ② Limited by T<sub>jmax</sub>, starting T<sub>J</sub> = 25°C, L = 0.5mH,R<sub>G</sub> = 25Ω, I<sub>AS</sub> = 31A, V<sub>GS</sub> = 10V. Part not recommended for use above this value
- ③ Pulse width ≤ 300μs; duty cycle ≤ 2%.

### Typical Characteristics

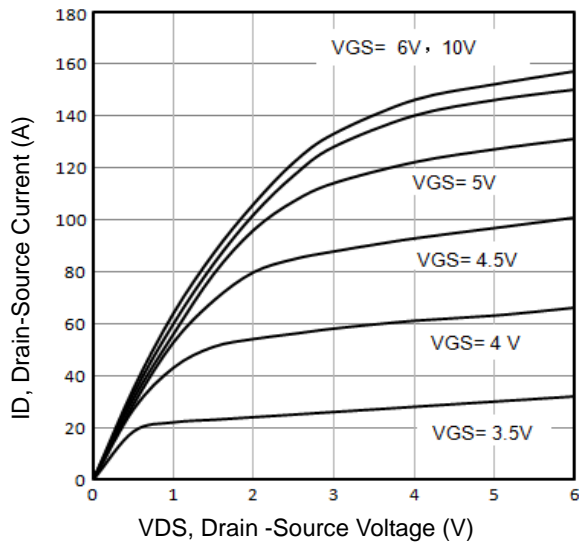


Fig1. Typical Output Characteristics

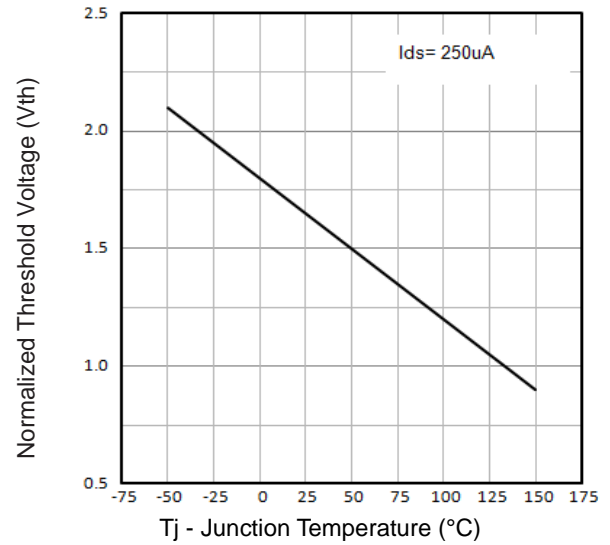


Fig2. Normalized Threshold Voltage Vs. Temperature

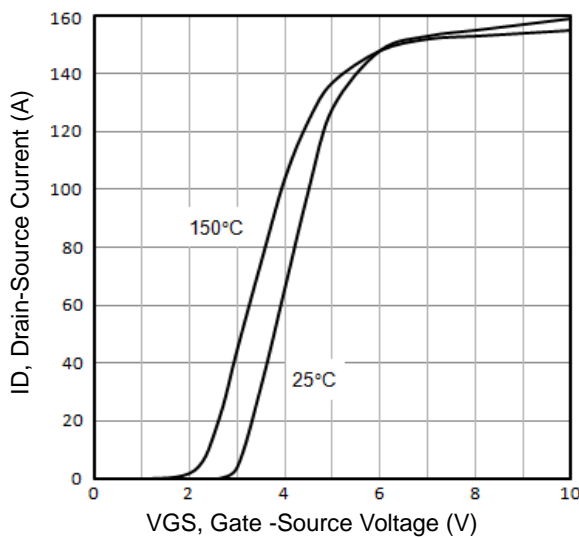


Fig3. Typical Transfer Characteristics

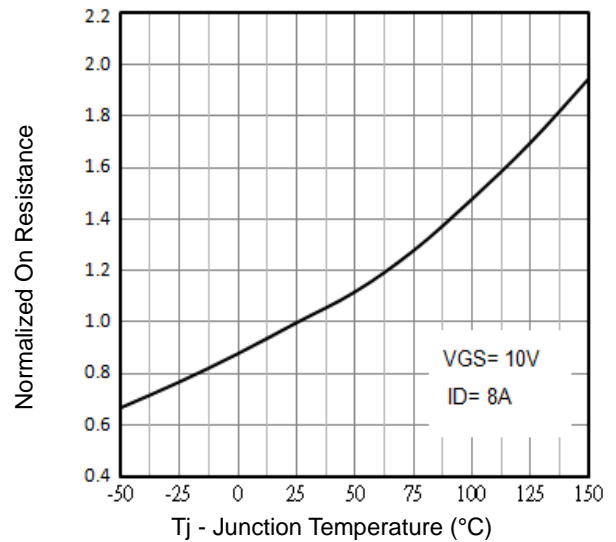


Fig4. Normalized On-Resistance Vs. Temperature

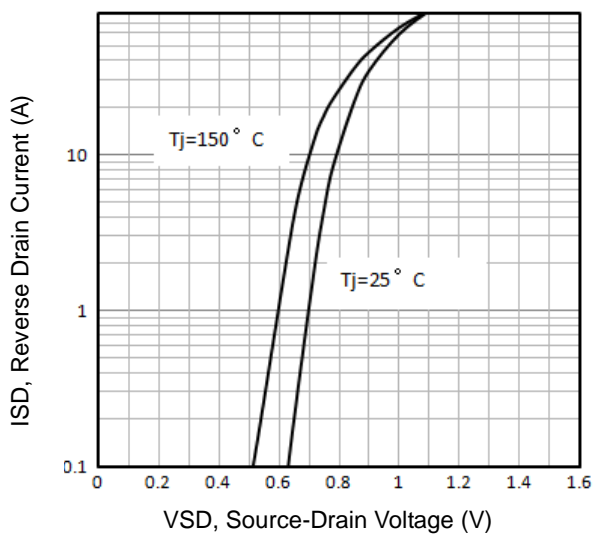


Fig5. Typical Source-Drain Diode Forward Voltage

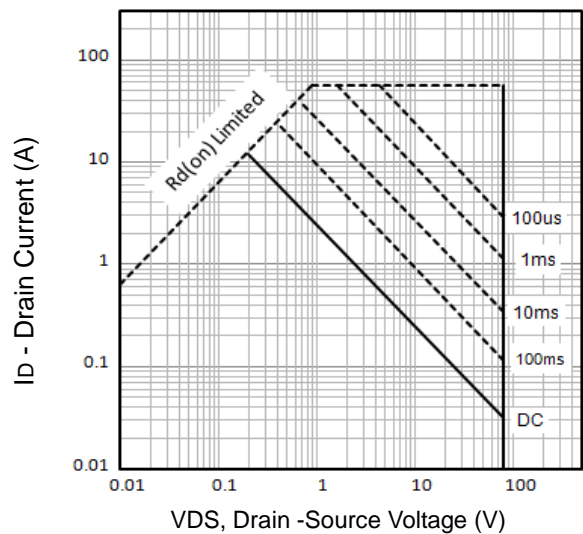


Fig6. Maximum Safe Operating Area

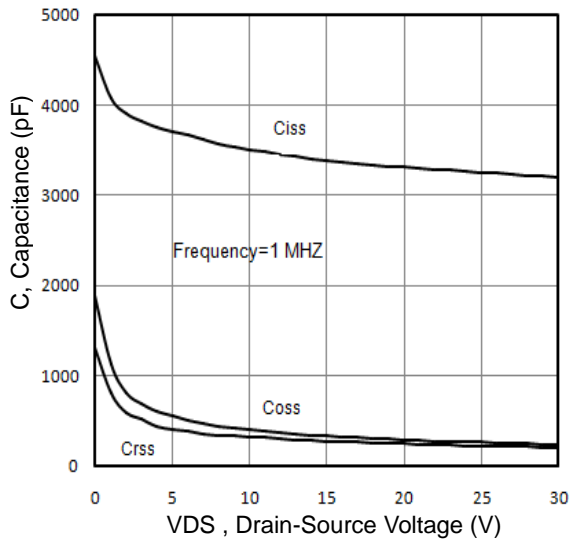


Fig7. Typical Capacitance Vs. Drain-Source Voltage

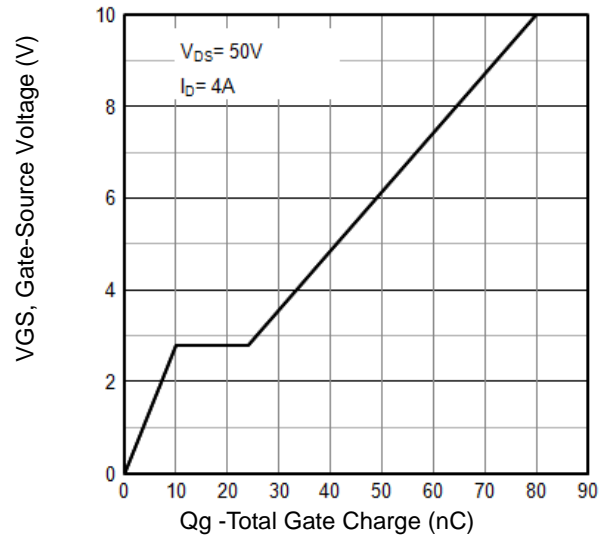


Fig8. Typical Gate Charge Vs. Gate-Source Voltage

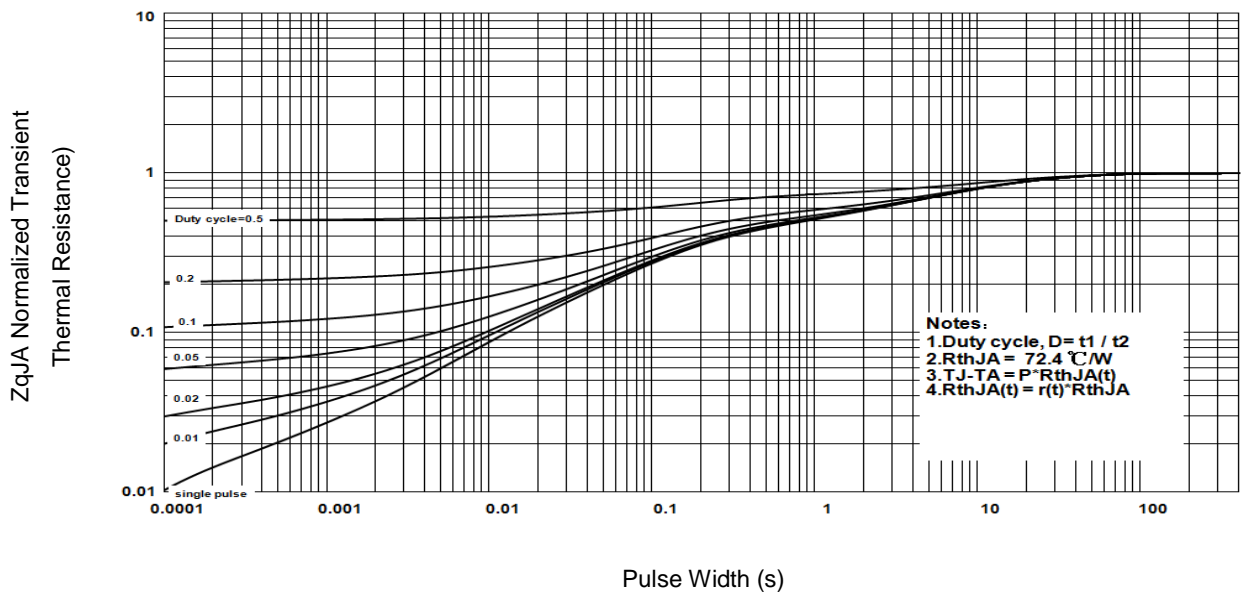


Fig9. Normalized Maximum Transient Thermal Impedance

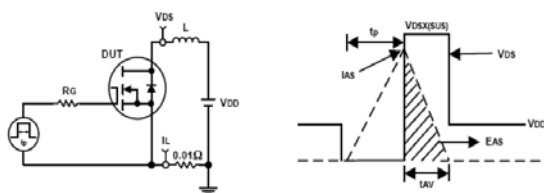


Fig10. Unclamped Inductive Test Circuit and waveforms

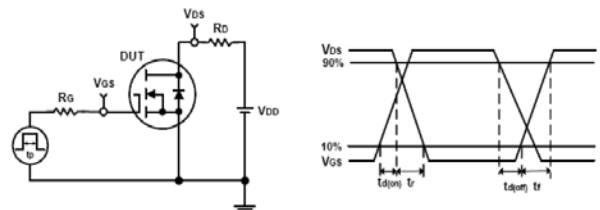
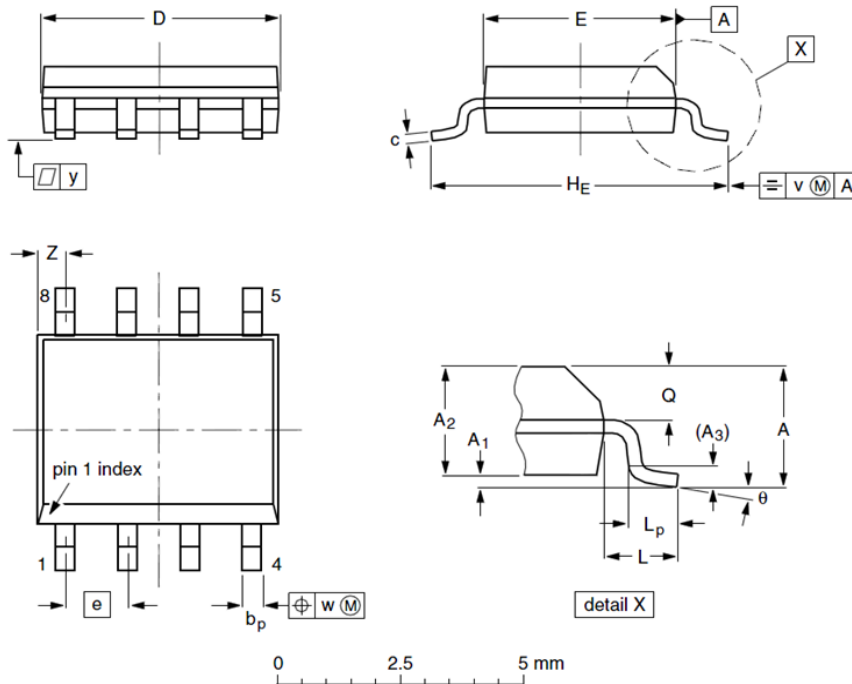


Fig11. Switching Time Test Circuit and waveforms

## SOP8 Package Outline Data



Label	Dimensions (unit: mm)		
	Min	Typ	Max
A	--	--	1.75
A <sub>1</sub>	0.10	0.18	0.25
A <sub>2</sub>	1.25	1.35	1.50
A <sub>3</sub>	--	0.25	--
b <sub>p</sub>	0.36	0.42	0.51
c	0.19	0.22	0.25
D	4.80	4.92	5.00
E	3.80	3.90	4.00
e	--	1.27	--
H <sub>E</sub>	5.80	6.00	6.20
L	--	1.05	--
L <sub>p</sub>	0.40	0.68	1.00
Q	0.60	0.65	0.725
v	--	0.25	--
w	--	0.25	--
y	--	0.10	--
Z	0.30	0.50	0.70
θ	0°		8°

### Notes:

1. Follow JEDEC MS-012.
2. Dimension "D" does NOT include mold flash, protrusions or gate burrs. Mold flash, protrusions or gate burrs shall not exceed 0.15mm per side.
3. Dimension "E" does NOT include interlead flash or protrusion. Interlead flash or protrusion shall not exceed 0.25mm per side.
4. Dimension "b<sub>p</sub>" does NOT include dambar protrusion. Allowable dambar protrusion shall be 0.1mm total in excess of "b<sub>p</sub>" dimension at maximum material condition. The dambar cannot be located on the lower radius of the foot.

## Customer Service

### Sales and Service:

[sales@vgsemi.com](mailto:sales@vgsemi.com)

Vanguard Semiconductor CO., LTD

TEL: (86-755) -26902410

FAX: (86-755) -26907027

WEB: [www.vgsemi.com](http://www.vgsemi.com)